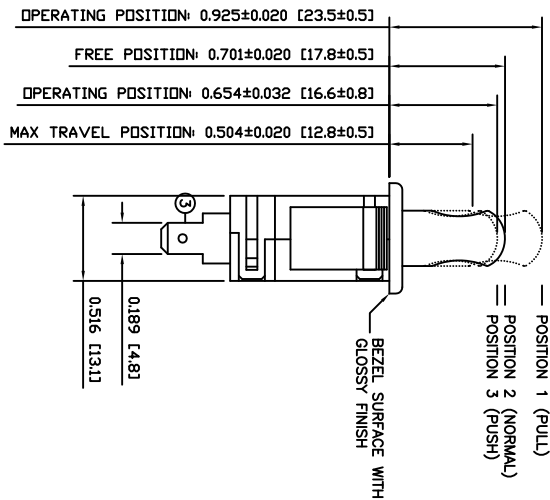
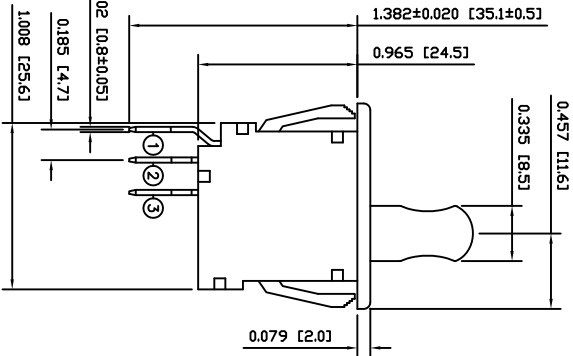


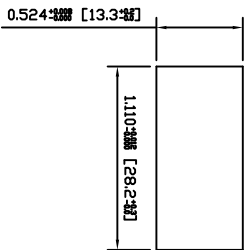
SCHEMATIC

SPECIFICATIONS

FUNCTION: 1P2T ON[2]-ON[1]-(ON[2])  
 RATING: Approvals Pending:  
 16A 125VAC  
 12A 250VAC  
 1HP 125/250VAC  
 CONTACT RESISTANCE: Initial: 10mΩ Max.  
 TEMPERATURE: Operating: 0°C to 85°C  
 ELECTRICAL LIFE: 6,000 Cycles  
 APPROVALS: **ROHS** COMPLIANT



SUGGESTED PANEL CUTOUT



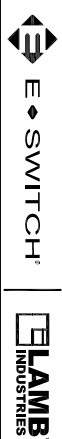
ACTUATOR	B	10/03/16	CAB
BODY	A	10/03/24	CAB
COLORS	A	09/10/23	CAB
MATERIALS	A	10/04/07	CAB
SPECIFICATIONS	A	10/04/08	CAB
REFERENCE	REV.	DATE	BY

1 THE INFORMATION CONTAINED IN THIS DOCUMENT IS PROPRIETARY TO E-SWITCH AND IS NOT TO BE COPIED OR TRANSMITTED

CORRECTED DIMENSIONS AND APPROVALS	1801	10/04/08	CAB
CORRECTED SPECIFICATIONS	PO800243	09/12/09	CAB
INITIAL RELEASE	PO800192	09/11/03	CAB
DESCRIPTION	PCB	DATE	DRAWN BY

DIMENSIONS	INCHES [MILLIMETERS]
GENERAL TOLERANCES	±0.008 [±0.2] / ±.1
SCALE	DRAWING NOT TO SCALE
PROJECTION	1st ANGLE

ITEM	DESCRIPTION	DATE	REVISION
34-PP11772B2	PP1-1T7-2B2	APRIL 8, 2010	C



- COLORS**  
 BODY: White  
 ACTUATOR: White
- MATERIALS**  
 BODY: Polyamide 6/6 (PA66)  
 ACTUATOR: Polyamide 6/6 (PA66)  
 SPRING: Steel (65Mn)  
 SPRING POLE: Polyamide 6/6 (PA66)  
 HOOK SPRING: Stainless Steel (1Cr13)  
 ACTUATOR LEVER: Brass (H62)  
 MOBILE CONTACT BAR: Silver Plated Copper  
 STATIONARY CONTACT: Silver/Nickel Clad Copper (AgNi(10)/Cu)  
 TERMINALS: Silver Plated Brass (H62)